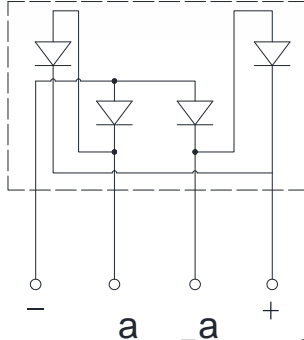
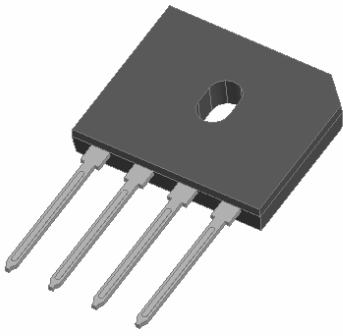




Bridge Rectifiers



Features

- " 8/ UHFRJQILVHRQ
- " *ODVV SDVVLYDWHG FKLS MXQFWLRQ
- " ,GHDO IRU SULQWHG FLUFXLW ERDUGV
- " +LJK VXUJH FXUUHQW FDSDELOLW\
- " 6ROGHU GLS y & PHDJ -(6' %

Typical Applications

- *HQHUDO SXUSRVH XGJHULQJ & ZDYH W HFWLIL
- PRQLWRU 79 SULQWHU SRZHU VXSSO\ VZL
- DGDSLQWHU SEP#P Q W HJ NAG KCPHH D SSSSLOL FDWLR

Mech ^

- " Package *% 8
- 0ROGLQJ FRPSRQ/QG PHHODPPDELOLW\
- UDWLQJ 5R+6 FRPSOLDQW
- " Terminals 7LQ SODWHG OHDGV VROGHUDEOH S
- 67' DQG -(6' %
- " Polarity: \$V PDUNHG RQ ERG\

Maximum Ratings

8QOHVV RWKHU ALVH VSHFLILHG

PARAMETER	SYMBOL	UNIT	GBU10005A	GBU1001A	GBU1002A	GBU1004A	GBU1006A	GBU1008A	GBU1010A
-----------	--------	------	-----------	----------	----------	----------	----------	----------	----------

'HYLFH PDUNLQJ FRGH

PUm A0.0°D0°@δ• VLQH ZDYH F\FOH 7M
,)60 \$

)RUZDUG 6XUJH &XUUHQW 1RQ UHSHWLWLYH									
# PV VTXDUH ZDYH - F\FOH 7M									
&XUUHQW VTXDUHG WLPH									
# PV"W" PV 7M5DWLQJ RI SWU \$ 6									
GLRGH									
6WRUDJH WHPHUDWXUH 7VWJ -							a		
-XQFWLRQ WHPHUDWXUH 7M -							a		
'LHOHFWULF VWUHQJWK									
# 7HUPLQDOV WR FDVH \$ & 9GLV 9									
PLQXWH									
0RXQLQJ WRUTXH									
# 5HFRPPHQG QV N U FXH	7RU	NJ	FP						

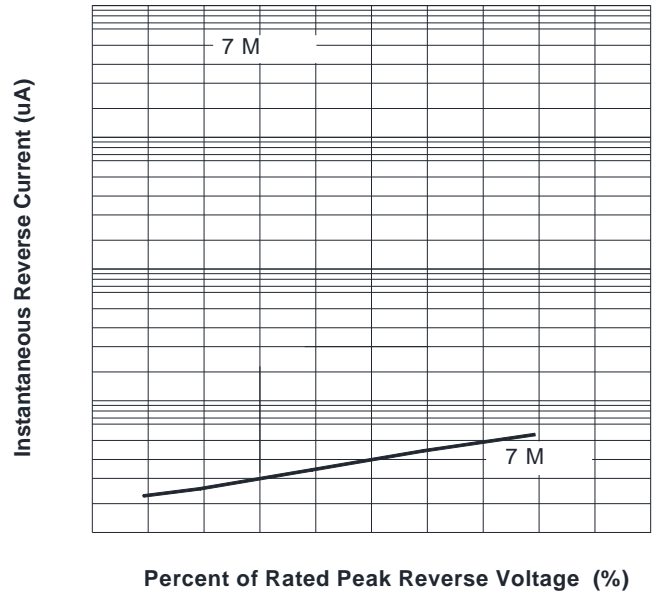


GBU10005A THRU GBU1010A

FIG3: Typical Forward Voltage



FIG4: Typical Reverse Characteristics



v Outline Dimensions

GBU		
' L P	0 L Q	0 D
\$		
%		
&		
'		
(
)		
*		
+		
,		
-		
.		
/		
0		

